

BALDOR® • RELIANCE 

Product Information Packet

VHECP3665T

5HP, 1750RPM, 3PH, 60HZ, 184HP, 0641M, TEFC, F1

Part Detail							
Revision:	J	Status:	PRD/A	Change #:		Proprietary:	No
Type:	AC	Elec. Spec:	06WGX182	CD Diagram:	CD0005	Mfg Plant:	
Mech. Spec:	06F448	Layout:	06LYF448	Poles:	04	Created Date:	04-05-2012
Base:	N	Eff. Date:	06-24-2019	Leads:	9#16		

Specs			
Catalog Number:	VHECP3665T	Heater Indicator:	No Heater
Enclosure:	TEFC	Insulation Class:	F
Frame:	184HP	Inverter Code:	Not Inverter
Frame Material:	Iron	KVA Code:	J
Output @ Frequency:	5.000 HP @ 60 HZ	Lifting Lugs:	Vertical Lifting Lugs
Synchronous Speed @ Frequency:	1800 RPM @ 60 HZ	Locked Bearing Indicator:	Locked Bearing
Voltage @ Frequency:	460.0 V @ 60 HZ	Motor Lead Quantity/Wire Size:	9 @ 16 AWG
	230.0 V @ 60 HZ	Motor Lead Exit:	Ko Box
XP Class and Group:	None	Motor Lead Termination:	Flying Leads
XP Division:	Not Applicable	Motor Type:	0642M
Agency Approvals:	UR	Mounting Arrangement:	F1
	CSA EEV	Power Factor:	80
	CSA	Product Family:	Super-E Chemical Processing
Auxillary Box:	No Auxillary Box	Pulley End Bearing Type:	Ball
Auxillary Box Lead Termination:	None	Pulley Face Code:	P-Base
Base Indicator:	No Mounting	Pulley Shaft Indicator:	P-Base Groove & Key
Bearing Grease Type:	Polyrex EM (-20F +300F)	Rodent Screen:	None
Blower:	None	Shaft Extension Location:	Pulley End

Current @ Voltage:	13.200 A @ 230.0 V	Shaft Ground Indicator:	No Shaft Grounding
	14.000 A @ 208.0 V	Shaft Rotation:	Reversible
	6.600 A @ 460.0 V	Shaft Slinger Indicator:	No Slinger
Design Code:	B	Speed Code:	Single Speed
Drip Cover:	Drip Cover	Motor Standards:	NEMA
Duty Rating:	CONT	Starting Method:	Direct on line
Electrically Isolated Bearing:	Not Electrically Isolated	Thermal Device - Bearing:	None
Enclosure Modification:	Severe Duty Features	Thermal Device - Winding:	None
Feedback Device:	NO FEEDBACK	Vibration Sensor Indicator:	No Vibration Sensor
Front Face Code:	Standard	Winding Thermal 1:	None
Front Shaft Indicator:	None	Winding Thermal 2:	None

Parts List		
Part Number	Description	Quantity
SA242256	SA 06F448X182G1	1.000 EA
RA229167	RA 06F448X182G1	1.000 EA
36FN3000C01SP	EXFN, PLASTIC, 5.25 OD, .912 ID	1.000 EA
09CB1501A05G	CONDUIT BOX, 1.00 NPT @6,(GRAY)(AQUA AER	1.000 EA
RM1016	LEAD SEPARATOR GASKET - 305/306 C.P.MOTO	1.000 EA
51XF2520A16	SCREW,HEX SER SLT HD,ZN 1/4-20X1.00LG TD	2.000 EA
WD1000B16	T&B CX70TN OR L70P TERMINAL LUG	2.000 EA
10XN2520G06	1/4 20X3/8 HX HD CAP, GREEN	2.000 EA
HW1001S25	WASHER, 1/4 SPLT LK, STAINLESS STEEL	2.000 EA
HW4600B36SP	V-RING SLINGER 1.188 X 1.690 X .24 VITON	1.000 EA
36EP1100A25G	FREP ENCL. 206 BRG.,GRSR,REL,#26 DRAIN(G	1.000 EA
HW4500A32	FIT./EXT 1698-B (ALEMITE)GREASE FITTING	1.000 EA
HW4500A17	317400 ALEMITE GREASE RELIEF	1.000 EA
HW5100A06	W2420-025 WVY WSHR (WB)	1.000 EA
36EP1505A02G	SPL PU E.P. - ENCL.- 307 BRG - NEMA 182L	1.000 EA
HW4500A01	1641B(ALEMITE)400 UNIV, GREASE FITT	1.000 EA
HW4500A17	317400 ALEMITE GREASE RELIEF	1.000 EA
12XN1032S22	10-32 X 1 3/8 SLOT HEX, STAINLESS STEEL	2.000 EA
10XN2520S48	1/4-20 X 3 HEX HEAD SS	2.000 EA
HA3101S46	THRUBOLT- 1/4-20 X 10.00 SS	4.000 EA
51XB1214A16	12-14X1.00 HXWSSLD SERTYB	1.000 EA
06FH1004A26G	FAN HOUSING MACH, W/GREASER AND DRIP CVR	1.000 EA
10XN2520S24	1/4-20X 1 1/2 HEX HD SS	3.000 EA
39FH4500A03G	DRIP COVER, STAMPED (GRAY EPOXY)	1.000 EA

Parts List (continued)		
Part Number	Description	Quantity
XY3816S12	3/8-16 HEX FINISHED NUT SS	2.000 EA
HA3400S09	STUD-3/8-16 X 2.75	4.000 EA
HW1001S38	WASHER, 3/8 SPLT LK, STAINLESS STEEL	6.000 EA
HW3208S01	3/8-16 EYE NUT	2.000 EA
09CB1504A01G	LIPPED CONDUIT BOX LID, MACH GRAY EPOXY	1.000 EA
09GS1001A01	GASKET, BOX LID, 1/8 THICK BLACK NEOPREN	1.000 EA
10XN2520S12	BOLT 1/4 - 20X 3/4 HEX HEAD SS (F/S)	2.000 EA
HW1001S25	WASHER, 1/4 SPLT LK, STAINLESS STEEL	2.000 EA
HW4600B56	SEAL 1.250 X 1.770 X 0.240 FACE SEALING	1.000 EA
HW2502E16	#303 SS,SQ KEY 1/4 X 1.750	1.000 EA
HA7000A02	KEY RETAINER RING, 1 1/8 DIA, 1 3/8 DIA	1.000 EA
MJ5001A27	32220KN GRAY SEALER *MIN BUY 4 QTS=1GAL	0.001 QT
MJ5001A14	DYNAPRO SEALANT, CP MTR VC#2508050 (603	0.001 EA
LB1115N	LABEL,LIFTING DEVICE (ON ROLLS)	1.000 EA
85XU0407S04	4X1/4 U DRIVE PIN STAINLESS	2.000 EA
MJ1000A02	GREASE, MOBIL POLYREX EM - 124047	0.050 LB
MG1025N19	WILKOFASST, 778.50, RELIANCE BLUE-GREEN	0.028 GA
LC0005E01	CONN.DIA./WARNING LABEL (LC0005/LB1119N)	1.000 EA
NP1260E	SS CP SUPER-E UL CSA CC	1.000 EA
G0PA1000	PKG GRP, PRINT PK1026A06	1.000 EA
PK3082	STYROFOAM CRADLE	2.000 EA
PK6503	STRUCTURAL WOOD PSC 1X6X8	1.000 EA
MN416A01	TAG-INSTAL-MAINT no wire (1200/bx) 3/19	1.000 EA

AC Induction Motor Performance Data

Record # 34381 - Typical performance - not guaranteed values

Winding: 06WGX182-R004	Type: 0642M	Enclosure: TEFC
-------------------------------	--------------------	------------------------

Nameplate Data				460 V, 60 Hz: High Voltage Connection	
Rated Output (HP)	5			Full Load Torque	15 LB-FT
Volts	230/460			Start Configuration	direct on line
Full Load Amps	13.2/6			Breakdown Torque	53.9 LB-FT
R.P.M.	1750			Pull-up Torque	22.4 LB-FT
Hz	60	Phase	3	Locked-rotor Torque	31.8 LB-FT
NEMA Design Code	B	KVA Code	J	Starting Current	46.6 A
Service Factor (S.F.)	1.15			No-load Current	3.02 A
NEMA Nom. Eff.	89.5	Power Factor	80	Line-line Res. @ 25°C	2.63 Ω
Rating - Duty	40C AMB-CONT			Temp. Rise @ Rated Load	53°C
S.F. Amps				Temp. Rise @ S.F. Load	65°C
				Locked-rotor Power Factor	40.5
				Rotor inertia	0.391 LB-FT ²

Load Characteristics 460 V, 60 Hz, 5 HP

% of Rated Load	25	50	75	100	125	150	S.F.
Power Factor	41	63	75	81	84	85	81
Efficiency	85.2	89.8	90.4	89.8	88.4	86.9	88.7
Speed	1789	1777	1765	1752	1737	1721	1739
Line amperes	3.35	4.14	5.21	6.45	7.91	9.47	7.52

Performance Graph at 460V, 60Hz, 5.0HP Typical performance - Not guaranteed values

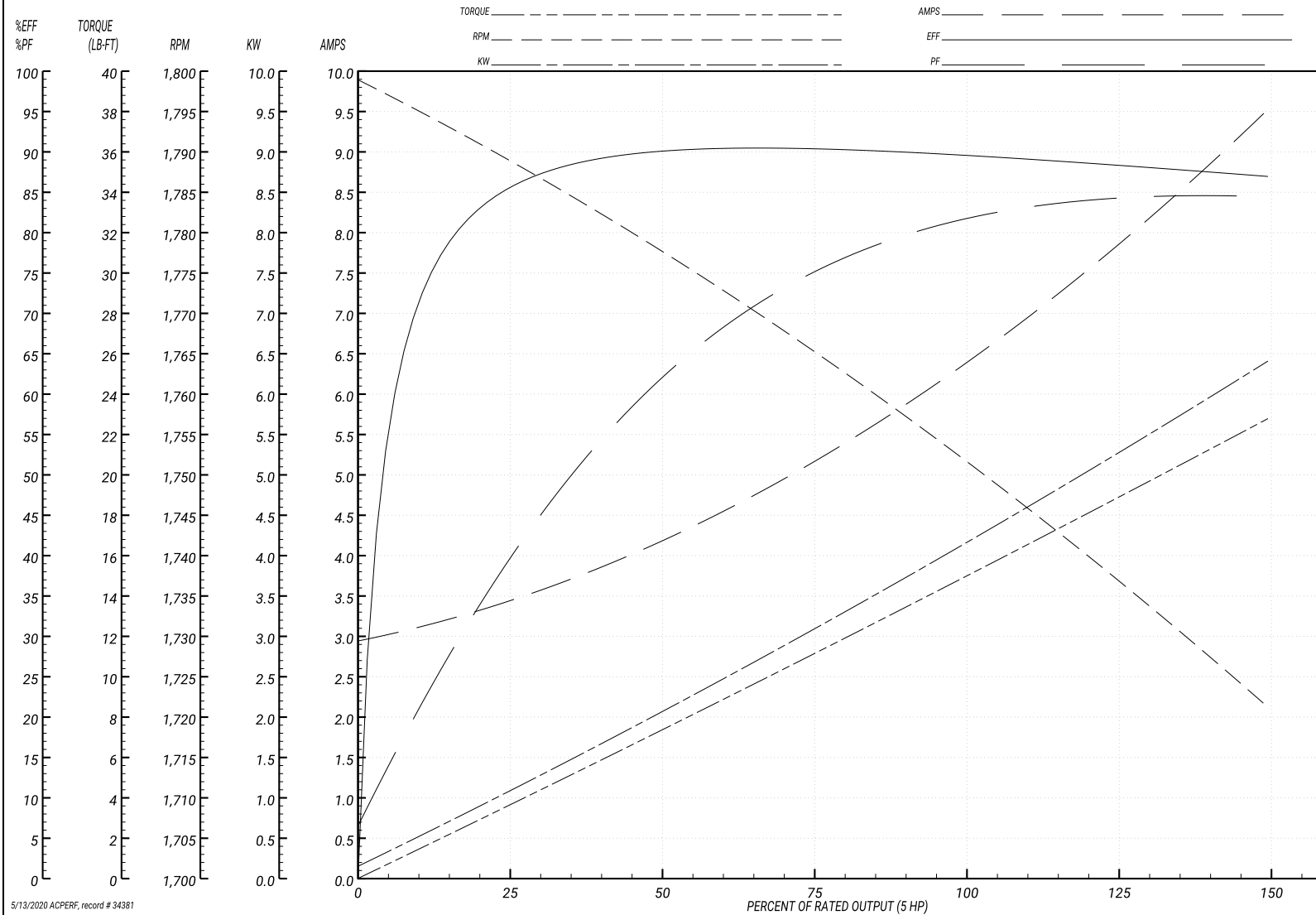
ABB Motors and Mechanical Inc.

WINDING # 06WGX182

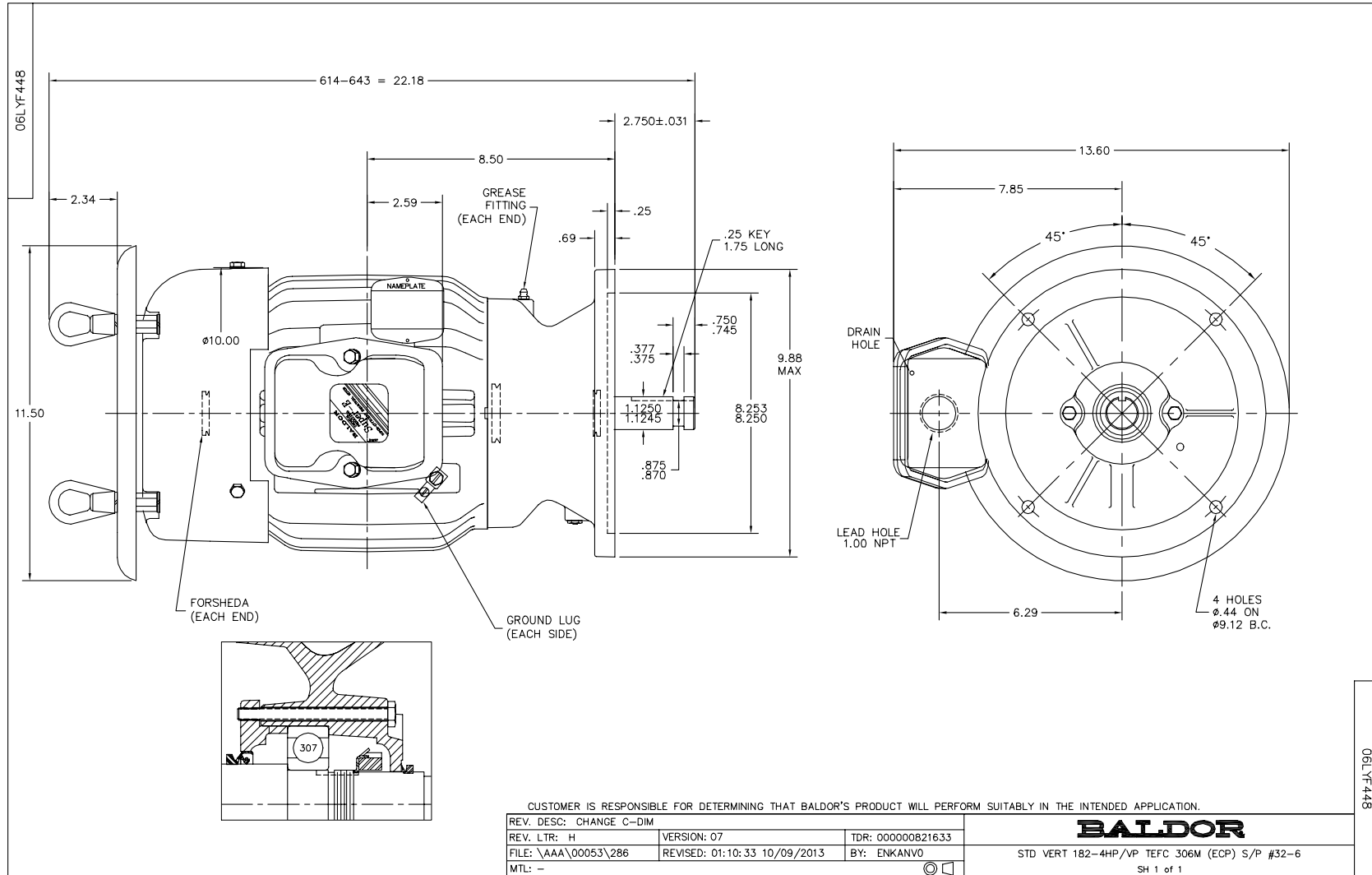
Typical performance - not guaranteed values.

5 HP 3 PH 60 HZ 1750 RPM 460 V 0642M

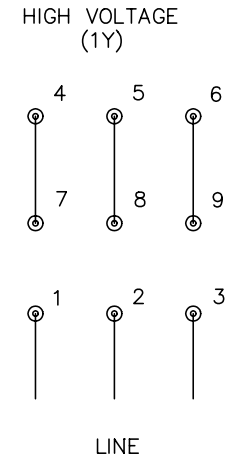
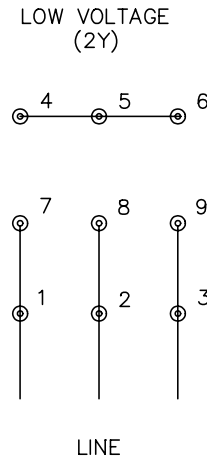
TORQUES(LB-FT): PO=53.9 PU=22.4 LR=31.8 LRA=46.6



5/13/2020 ACPERF, record # 34381



CD0005



- NOTES:
1. INTERCHANGE ANY TWO LINE LEADS TO REVERSE ROTATION.
 2. OPTIONAL THERMOSTATS ARE PROVIDED WHEN SPECIFIED.
 3. ACTUAL NUMBER OF INTERNAL PARALLEL CIRCUITS MAY BE A MULTIPLE OF THOSE SHOWN ABOVE.
 4. LEAD COLORS ARE OPTIONAL. LEADS MUST ALWAYS BE NUMBERED AS SHOWN.

REV. DESC: REVISE TO SHOW OPTIONAL COLORS			
REV. LTR: E	BY: JLP	REVISED: 01/19/99 10:15	TDR: 0171435
90000		FILE: AAA00005140	MDL: -
		MTL: -	

BALDOR ELECTRIC Co.

3PH, DV, 9 LEADS

CD0005